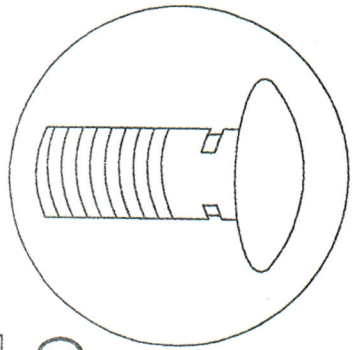
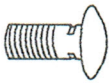
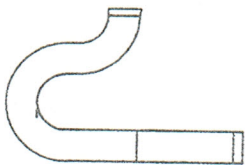


Preparing sink removal

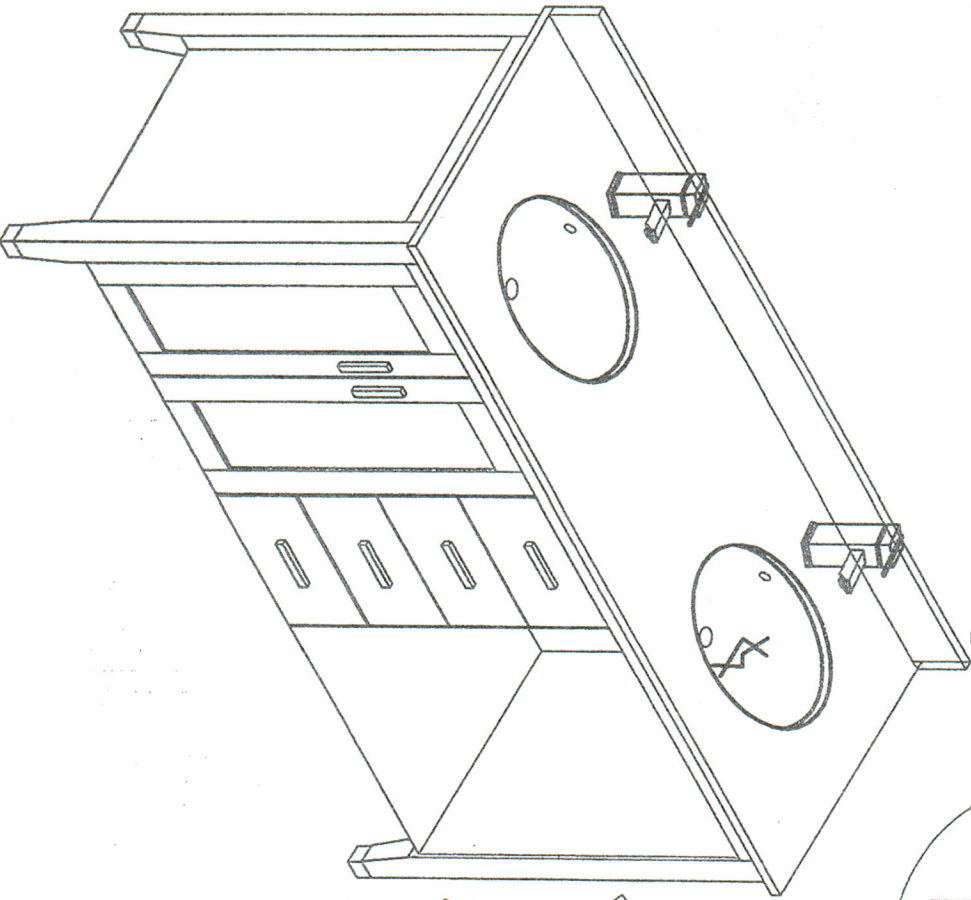
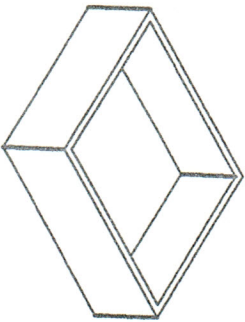
② Remove
Drain



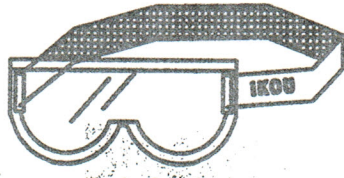
③ Remove
P-trap



① Use a paper box
to protect vanity
from broken pieces



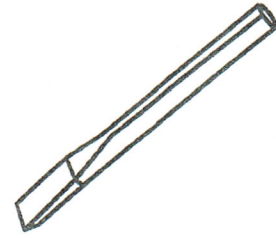
Breaking off the sink and cleaning the surface



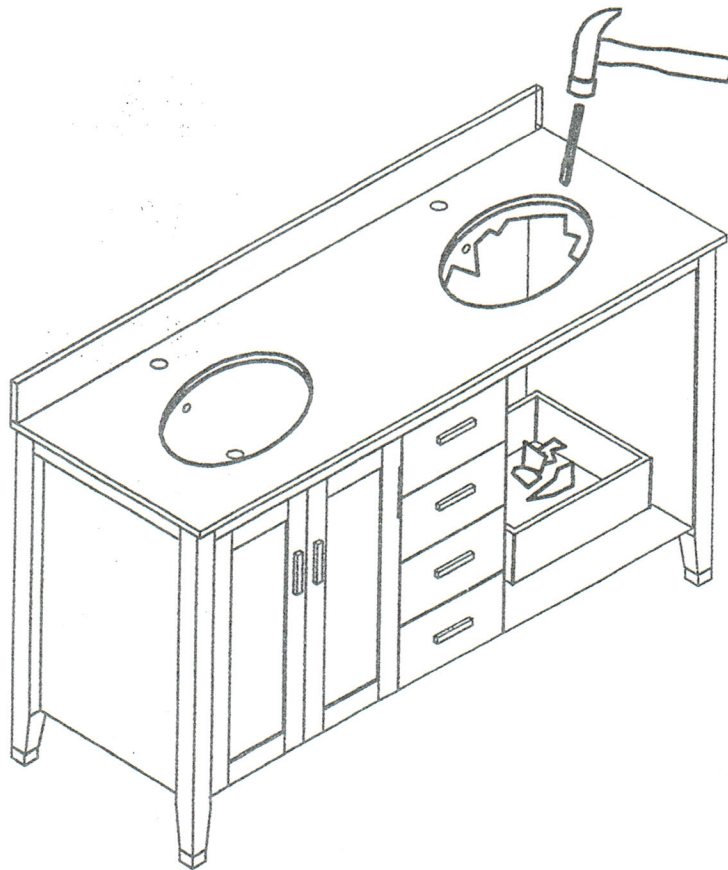
Goggles



Hammer



**Mason
Chisel**



- ④ **Wear goggles and chisel the bowl off the countertop. Be sure all pieces are completely removed from the countertop, leaving a smooth surface for the new sink to adhere to.**

Tip:

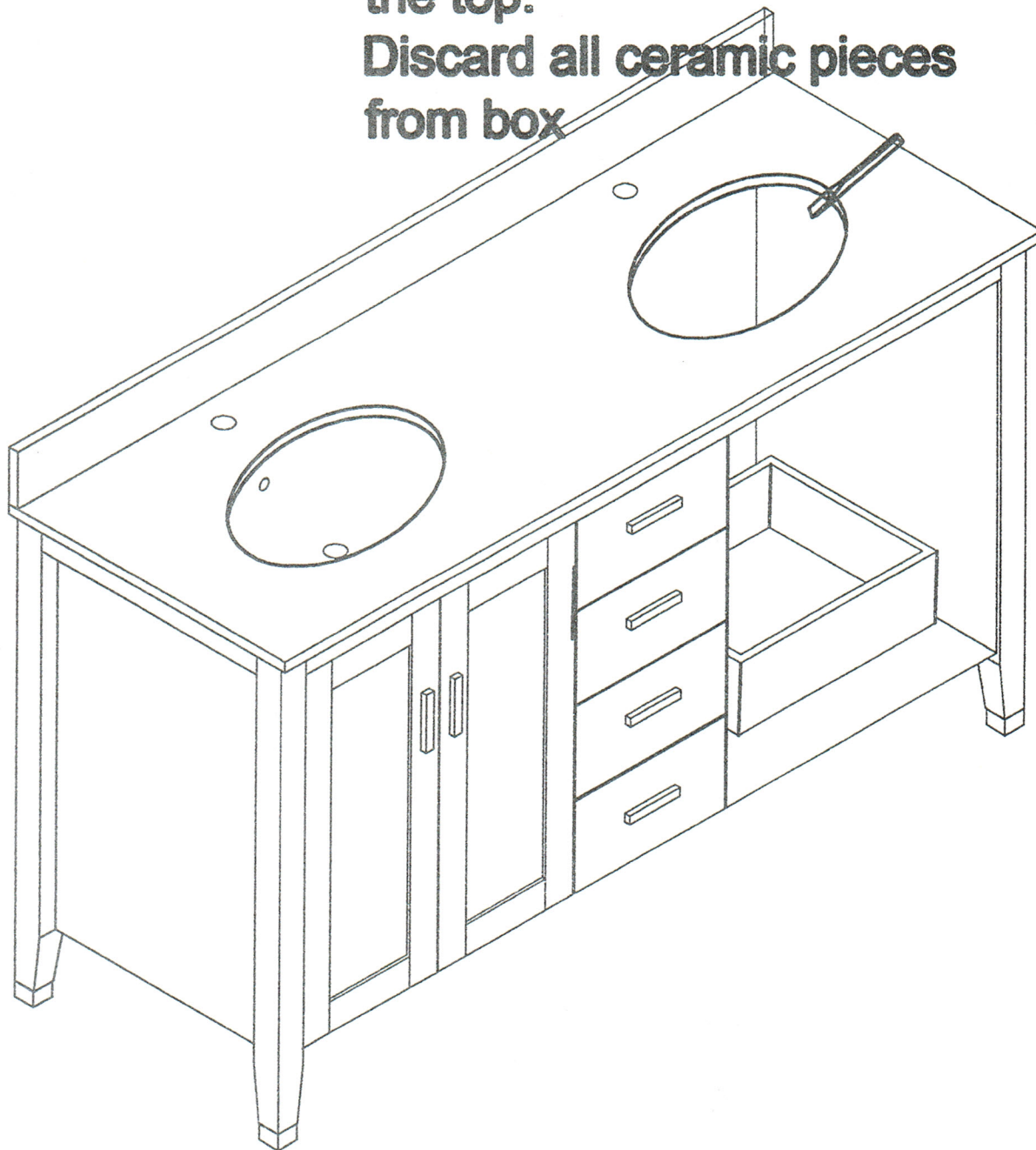
break as much of the bowl off the top with the hammer first...then chisel the edges from the countertop.

Note that there will be some small pieces of glue that cannot be removed...just have the surface as flat as possible.

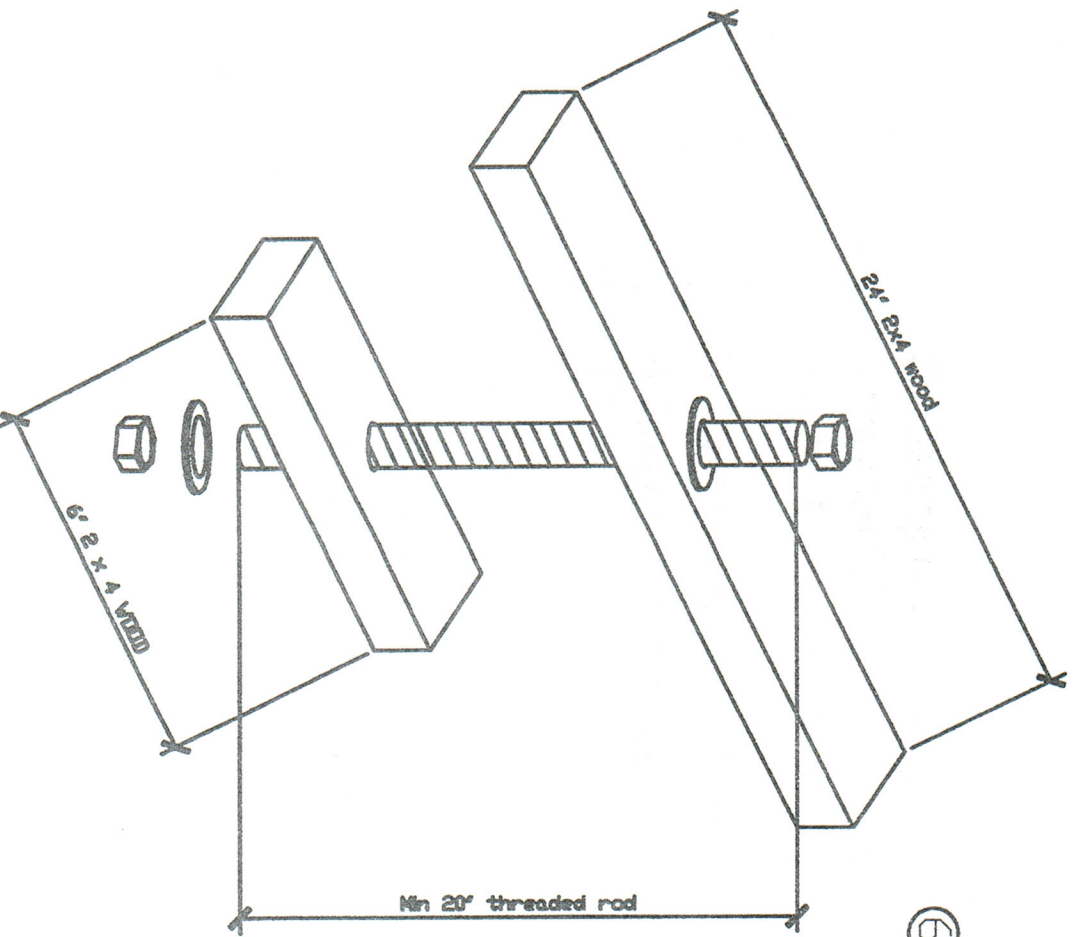
A sanding block could also be used to flatten the surface.

Preparing the surface

- ⑤ **Make sure all ceramic particles are cleared from the top.
Discard all ceramic pieces from box**



Making a bracket to hold the sink in place

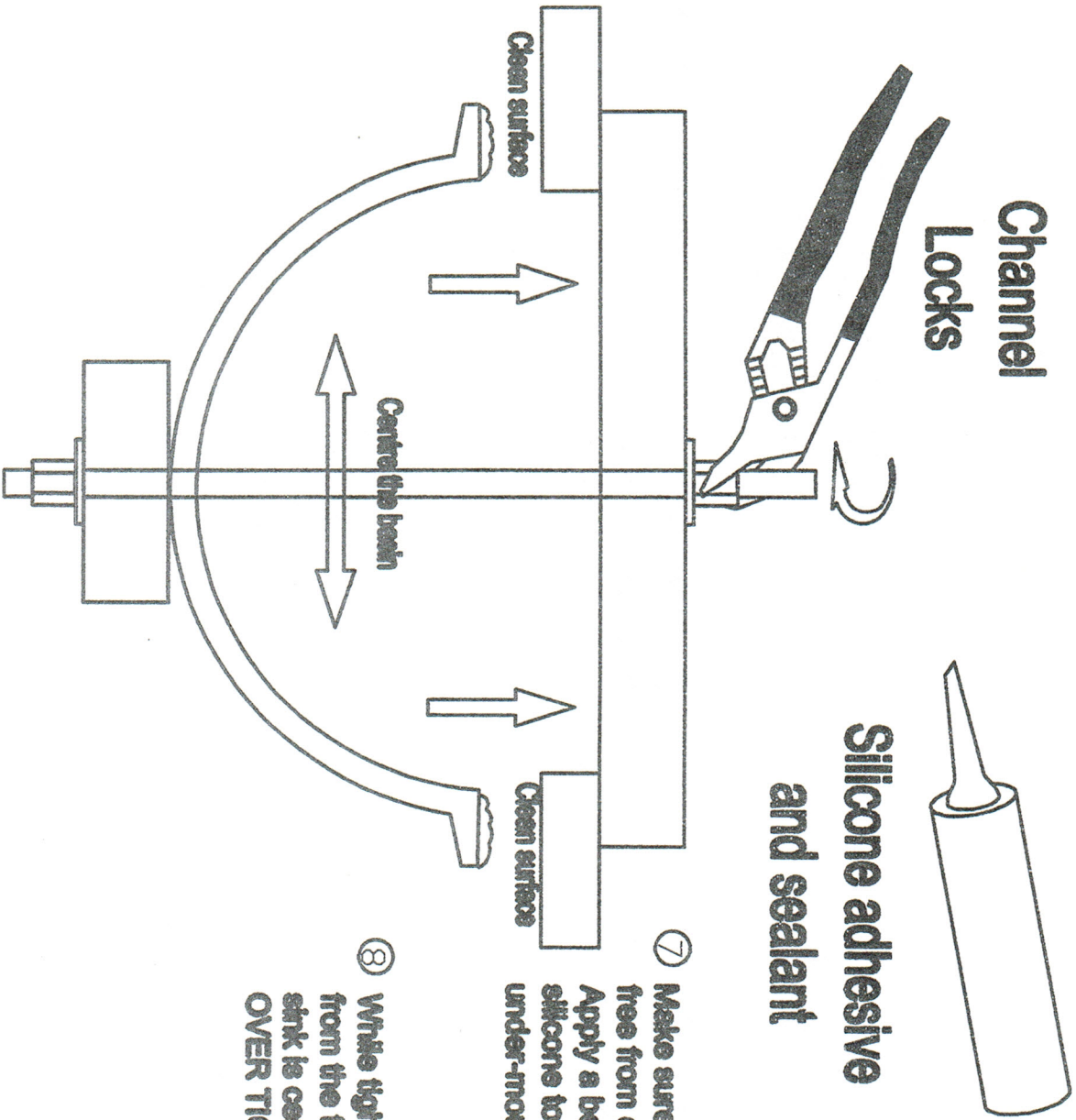


⑥ Go to any hardware store and purchase 2 pieces of 2x4 wood. (cut at: 6" and 24" wide)

Purchase a threaded rod (minimum 20" in length and 1/2" in diameter) with 2 matching bolts and 2 matching metal washers.

Drill a hole in the centre each wood to all the rod to pass through.

Mounting the sink

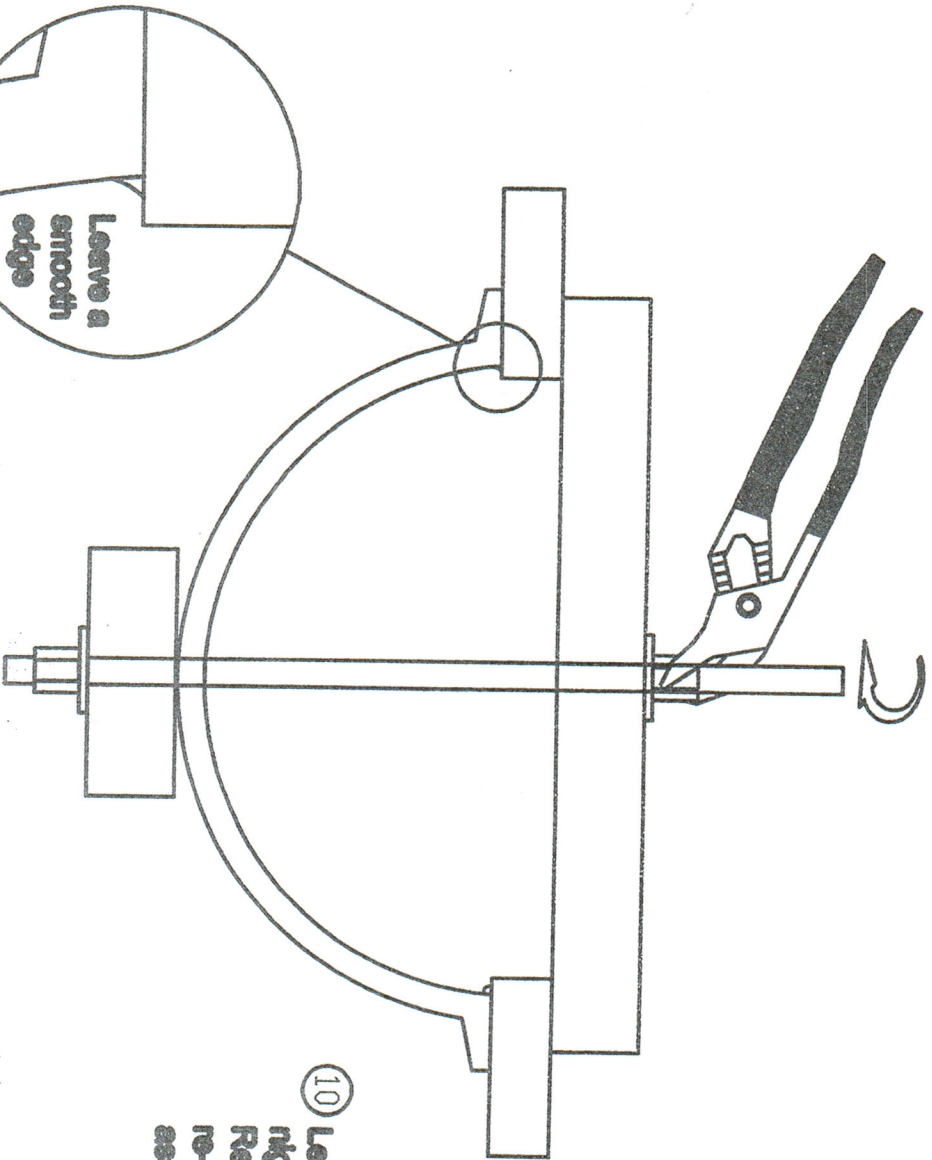


**Silicone adhesive
and sealant**

⑦ Make sure all surfaces are free from dust and moisture. Apply a bead of adhesive silicone to the top of the under-mount sink.

⑧ While tightening the bolt from the top, make sure the sink is centred. DO NOT OVER TIGHTEN

Clean-up



⑨ Use a wet paper towel to remove excess silicone around the inside edge of the sink.

⑩ Let the silicone dry over night. Remove bracket and re-mount your drain assembly.